



Description:

The InvictaLinea™ Model GOT971LMI provides state-of-the-art video graphics for a wide range of medical applications. A superior graphics engine combined with 19" monitor featuring high contrast (800:1) and the widest viewing angles (+ or - 89 degrees in all four axis) give healthcare providers the best possible imaging for both live and static medical images. Full DICOM curve – both pre-programmed and full custom color temperature adjustments – are supported for visual optimization of your application.

Features:

- Long Life product support and a Slim Bezel mechanical design package
- A wide range of video inputs - VGA/DVI-D/GPIO/Composite/S-Video/RGBS (or Y PbPr)
- An internal or external power supply
- Industry approvals – UL60601-1, CSA c22.2 NO. 601-1, TUV (EN60601-1) FCC, and CE Agency
- Standard colors (black or light beige) as well as custom colors are available upon request
- Custom logos are supported
- Standard VESA mounting underneath removable sturdy mechanical base



350 Mile Crossing Blvd.
Rochester, New York 14624
Phone: 1.585.458.2690
Web: www.touchstn.com

GOT971LMII / GOT971LMI

19" Flat Panel Display Monitor

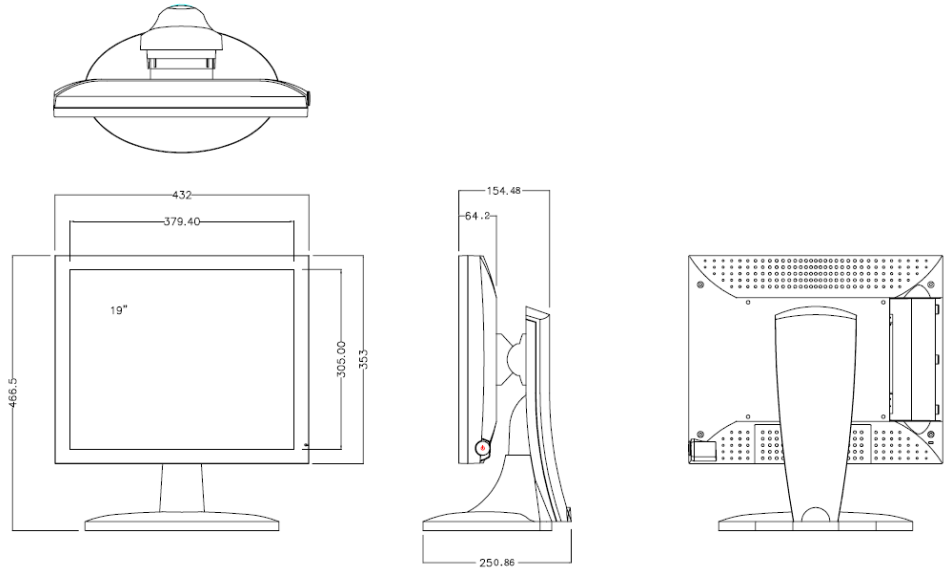
SPECIFICATIONS:

| | | |
|---|------------|---|
| Panel size/type | | 19" TFT active matrix LCD, anti-glare and hard coated |
| Pixel dimension | | 0.294mm x 0.294mm |
| Maximum resolution | | 1600 x 1200 |
| Native/ Optimum resolution | | 1280 x 1024 |
| Response time | | 18 ms |
| Contrast ratio | | 800:1 (typical) |
| Brightness | | 270 cd/m2 (typical) |
| View angle | | Hor: 89 to 89 deg Ver: 89 to 89 deg (typical) |
| Display color | | 16.7M (8 bits) |
| Active display area | | 376 mm x 301mm |
| Digital input | | Standard DVI connector |
| Analog input | | Video: 0.7Vpp/75 ohm, Sync: Separate TTL level. Composite Sync or sync on green, Hor: 30~80KHz, Ver: 50~75Hz |
| Signal input connectors | | VGA/DVI-D/GPIO Composite/S Video/RGBS (or Y PbPr) |
| Signal output connectors | | Composite/S Video/RGBS (or Y PbPr) |
| Power input connector & switch | | DC in (GOT971LMII); AC in & AC switch (GOT971LMI) |
| Cables | | 15 pin D-sub cable*1, AV signal cable |
| Plug & play | | VESA DDC2B |
| User control and indicator | | Dial control*1 for Power and OSD, Power indicator*1 Pre-Vu OSD, FOR PC: contrast, brightness, auto adjust, clock, Phase, color temp, hor position, ver position, input select. FOR VIDEO: contrast, brightness, color, tint, sharpness, recall. |
| Base stand | | Tilt, swivel, height and pivot four ways adjustable |
| Dimension (w*h*d) | | 432mm x 467mm x 251mm |
| Weight | | Net: 9.94kg (GOT971LMII), 10.9kg (GOT971LMI) |
| Power supply | GOT971LMII | AC/DC adaptor input:100~250Vac, 1.0A~0.5A, 60/50Hz, universal. Output: 24Vdc, 3A. |
| | GOT971LMI | Internal power supply: 100~250Vac, 1.2A, 60/50Hz, universal. |
| Power consumption | | On: <60W; active off: <5W. |
| Power management | | EPA Energy Star compliant |
| Agency approval | | UL60601-1, CSA C22.2 NO. 601.1, TUV (EN60601-1), FCC, CE |
| Selection for color modes | | |
| Color mode | | Description |
| Normal | Cool | 9300°K color Temperature |
| | Neutral | 6500°K color Temperature |
| | Warm | 5400°K color Temperature |
| | User | User's adjustable R G B |
| Calibration | | Calibrate the monitor through DDC CI |
| Acceptable timing | | |
| Input | | Video timing |
| VGA /DVI /RGBS | | Up to VESA 1280 X 1024@75/60Hz, VESA 1024 X 768@85/75/70/60Hz, VESA 800 X 600@85/75/72/60/56Hz, VESA 640 X 480@85/75/72/60Hz, Super VGA, VGA, Mac 832 x 624@75Hz, Power Mac and more. |
| YPbPr | | 1920 x 1080I, 720 x 480P, 720 x 480I 1280 x 720P, 720 x576P, 720 x 576I |
| Composite | | NTSC/PAL |
| S video | | NTSC/PAL |



**Touchstone
Technology Inc.**

350 Mile Crossing Blvd.
Rochester, New York 14624
Phone: 1.585.458.2690
Web: www.touchstn.com



Connector Definitions:

- 15 pin D-sub for VGA
- Standard DVI
- Video Outputs: Composite/S Video/RGBS (or Y PbPr)
- Video Inputs: Composite/S Video/RGBS (or Y PbPr)
- AC Power Cord for those with internal power supply
- 12 Volt DC input for those with external power supply



350 Mile Crossing Blvd.
Rochester, New York 14624
Phone: 1.585.458.2690
Web: www.touchstn.com

June 2007